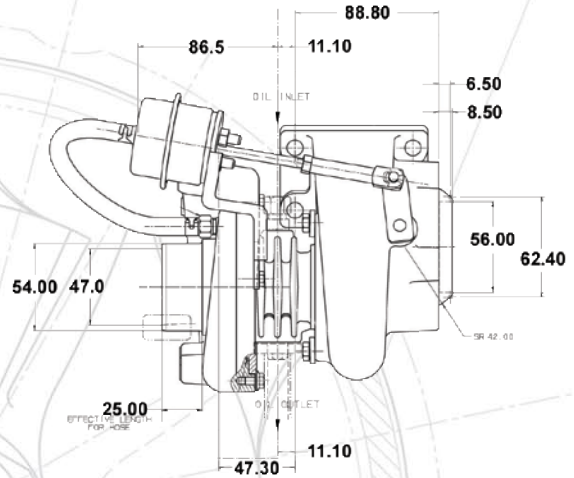
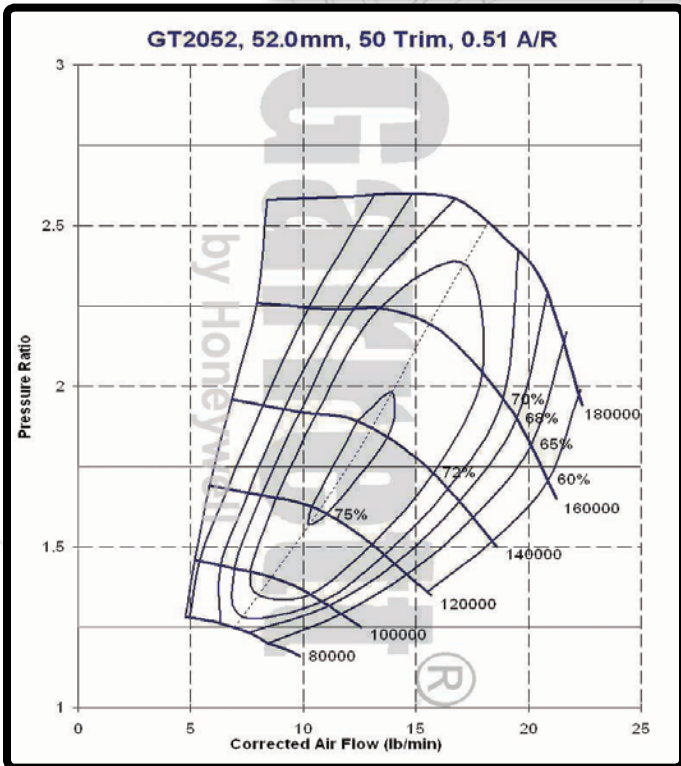


- Journal bearing, oil-cooled CHRA
- Internally wastegated turbine housing, complete with actuator
- Two orientations available



GT2052		COMPRESSOR				TURBINE		
Turbo PN	CHRA PN	Ind Whl Dia	Exd Whl Dia	Trim	A/R	Whl Dia	Trim	A/R
727264-4	451298-45	36.8mm	52.0mm	50	0.51	47.0mm	72	0.50
727264-5	451298-45	36.8mm	52.0mm	50	0.51	47.0mm	72	0.50



Dimension Note:
Oil Inlet: Both PN - M10x1.0 (F) or M10x1.0 (M)

