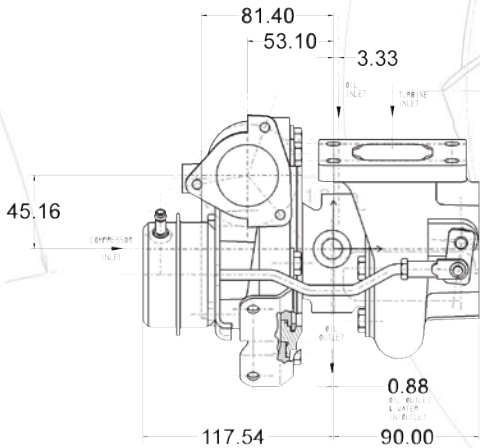


- Dual ball bearing, oil & water-cooled CHRA
- Internally wastegated turbine housing complete with actuator
- Upgrade turbocharger for GT2554R (471171-3) and GT2854R (471171-9)
- Essentially, a GT2860RS Disco Potato turbo with a GT2560R compressor housing
- Turbine wheel is cast from "Inconel" material for extreme applications

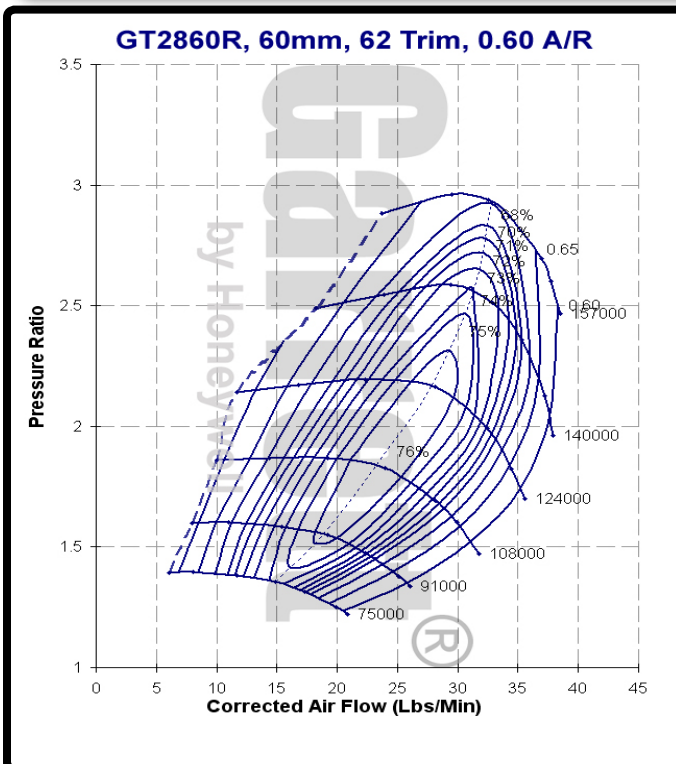


**DISPLACEMENT 1.8L - 3.0L**

**HORSEPOWER 250 - 360**

2000
1900
1800
1700
1600
1500
1400
1300
1200
1100
1000
900
800
700
600
500
400
300
200
100
0

GT2860R		COMPRESSOR				TURBINE		
Turbo PN	CHRA PN	Ind Whl Dia	Exd Whl Dia	Trim	A/R	Whl Dia	Trim	A/R
739548-9	446179-66	47.2mm	60.1mm	62	0.60	53.9mm	76	0.86



**TURBINE HOUSING OPTIONS**

PN	A/R
430609-230	0.64
430609-231	0.86

