

# S1BG

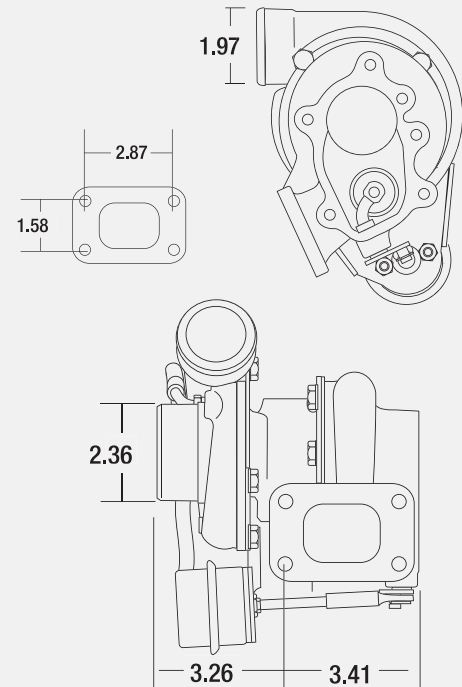
## 120 - 320 HP Turbo



### FEATURES

- Twin hydrodynamic journal bearings
- Integrated wastegate assembly
- Adjustable compressor and turbine housing orientation

### TURBO FRAME DIMENSIONS



Turbo Part #	Comp. Wheel O.D. (in)	Comp Wheel O.D. (mm)	Comp Wheel Inducer Dia. (in)	Comp Wheel Inducer Dia. (mm)	Turbine Wheel O.D. (in)	Turbine Wheel O.D. (mm)	Turbine Wheel Exducer (in)	Turbine Wheel Exducer (mm)	Turbine Housing A/R	Cartridge Assembly	Service Kit
313295	1.90	48.31	1.35	34.21	1.85	46.99	1.58	40.00	0.35	N/A	318374
313296	2.08	52.91	1.55	39.32	2.08	52.92	1.80	45.73	0.46	315358	318374
313683	2.08	52.91	1.55	39.32	2.08	52.92	1.80	45.73	0.61	N/A	318374
313297	2.28	57.96	1.70	43.28	2.08	52.92	1.80	45.73	0.61	313737	318374
313798	2.28	57.96	1.70	43.28	2.08	52.92	1.80	45.73	0.61	313737	318374

### COMPRESSOR MAP Applicable to part number 313296

Comp. Wheel Inducer Dia. (mm) 39.32  
Comp. Wheel Outer Dia. (mm) 52.91

