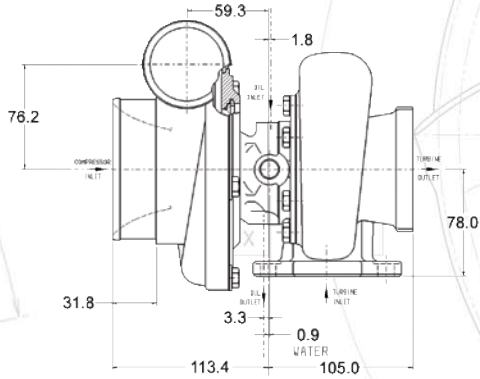


- Forged, fully-machined compressor wheel featuring next generation aerodynamics
- Dual ball bearing, oil & water-cooled CHRA
- Free float, non-wastegated turbine housing
- Ported shroud compressor housing to increase surge resistance
- Outline interchangeable with GT3582R
- GTX3582R is sold without turbine housing, includes CHRA & compressor housing. Turbine housing kits are available

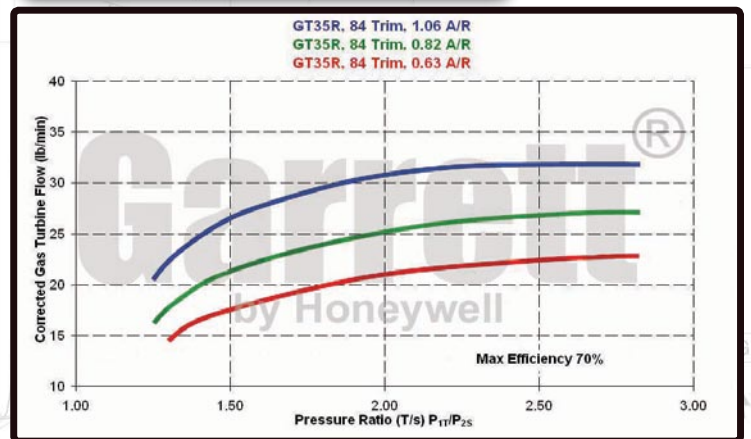
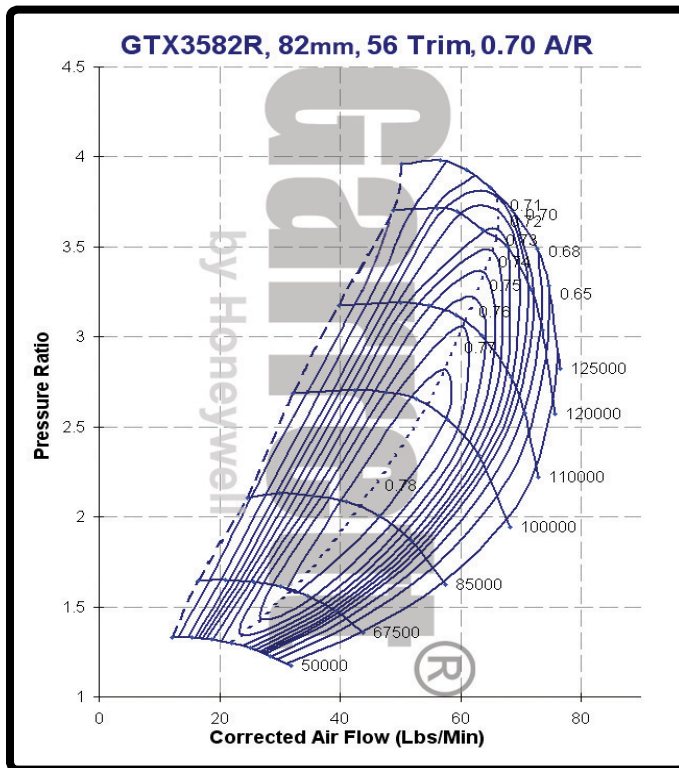


DISPLACEMENT 2.0L - 4.5L	HORSEPOWER 450 - 750	2000
		1900
		1800
		1700
		1600
		1500
		1400
		1300
		1200
		1100
		1000
		900
		800
		700
		600
500		
400		
300		
200		
100		
0		

GTX3582R		COMPRESSOR				TURBINE		
Turbo PN	CHRA PN	Ind Whl Dia	Exd Whl Dia	Trim	A/R	Whl Dia	Trim	A/R
803715-1	706451-34	62.5mm	82.5mm	58	0.70	68.0mm	84	-

Dimension Note: Turbine Housing Options
 * Note: Inlet flange: 83-04; Outlet flange: 85-07
 + Note: Inlet flange: 83-04; Outlet flange: 86-13
 ^ Note: Inlet flange: 83-10; Outlet flange: 86-13

TURBINE HOUSING OPTIONS	
PN	A/R
740902-4*	1.06
740902-5*	0.82
740902-6*	0.63
740902-10+	1.06
740902-11+	0.82
740902-12+	0.63
740902-16^	1.06
740902-17^	0.82
740902-18^	0.63



GTX